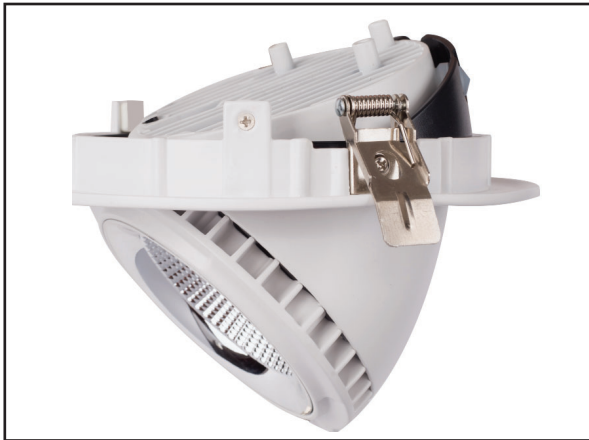
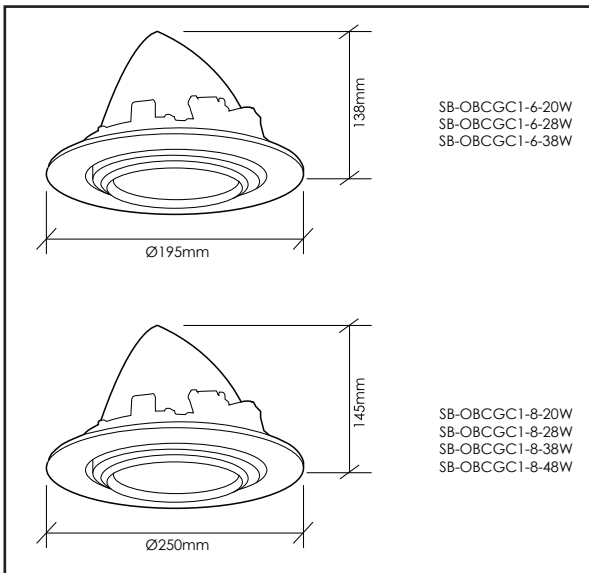


CGC DOWNLIGHT



DESCRIPTION

The CGC series are a versatile, adjustable range of downlights. They gimble from 0 to 60 degrees and are able to rotate 360 degrees. This makes them a perfect downlight for lighting applications and spaces that require flexibility such as commercial environments where furniture layouts may change, as well as for spotlighting and wall washing.



TECHNICAL DRAWING



OPTIONAL ADAPTOR PLATE
(suitable for 20W-38W fittings only).
ADP233 used to cover holes 190mm to 230mm.
ADP275 used to cover holes 210 to 265mm.

LUMINAIRE INFORMATION

LUMINAIRE

Power	20W, 28W, 38W, 48W	
Input power	240V/50HZ	
Delivered Lumens (Tri-colour, 5000°K)	20W	1900 lm
	28W	2660 lm
	38W	3610 lm
	48W	4560 lm
Colour Temperature	3000°K/3500°K/4000°K/5000°K	

TECHNICAL INFORMATION

Luminous Efficacy	95~100lm/W
Beam angle	16°/ 24°/48°
IP rating	IP20
CRI	Ra80
Dimmable	No
Flex and plug	Yes
Adaptor plate	
Adaptor Plate ADP233 (suitable for 20-38W fittings only)	to cover holes 190 - 230mm
Adaptor Plate ADP275 (suitable for 20-38W fittings only)	to cover holes 210 - 265mm
Rated operating life	50,000hrs
Warranty	5 Years
Approvals	ESS and VEET approved

DIMENSIONS

MODEL	WATTS	DIMENSION (DIA X HEIGHT)	CUT OUT
SB-OBCGC1-6-20W	20W	Ø195 X 138 mm	165 mm
SB-OBCGC1-6-28W	28W	Ø195 X 138 mm	165 mm
SB-OBCGC1-6-38W	38W	Ø195 X 138 mm	165 mm
SB-OBCGC1-8-20W	20W	Ø250 X 145 mm	210 mm
SB-OBCGC1-8-28W	28W	Ø250 X 145 mm	210 mm
SB-OBCGC1-8-38W	38W	Ø250 X 145 mm	210 mm
SB-OBCGC1-8-48W	48W	Ø250 X 145 mm	210 mm