

RGS2 SHOPLIGHT



DESCRIPTION

The 'RGS2' series are a wide beam, powerful, adjustable shoplight designed to provide high levels of illumination to both vertical and horizontal surfaces. This makes it ideal for wall washing especially in retail applications and other areas where high levels of illumination are required.

LUMINAIRE INFORMATION

LUMINAIRE

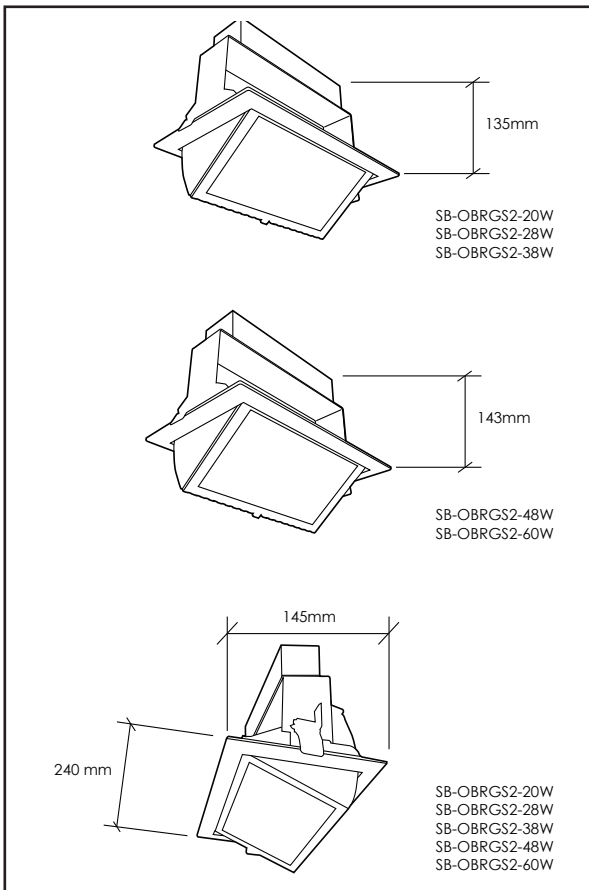
Power	20W, 28W, 38W, 48W, 60W	
Input power	240V/50HZ	
Delivered Lumens (@5500°K) (Tri-colour, 5000°K)	20W	2200 lm
	28W	3080 lm
	38W	4180 lm
	48W	5280 lm
	60W	6600 lm
Colour Temperature	3500°K/4000°K/5500°K	
	Colour switching modules also available on request	

TECHNICAL INFORMATION

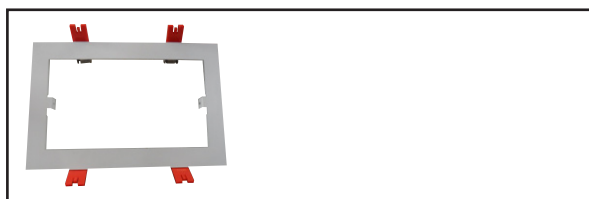
Luminous Efficacy	103~110 lm/W
Beam angle	120°
IP rating	IP20
CRI	Ra80
Dimmable	No
Flex and plug	Yes
Adaptor plate	Optional.
	Cut out: 250 x 170mm (Frame: 320 X 180mm)
Rated operating life	50,000hrs
Warranty	5 Years
Approvals	ESS and VEET approved

DIMENSIONS

MODEL	WATTS	DIMENSION (L X W X D)	CUT OUT (L X W)
SB-OBRGS2-20W	20W	240 X 145 X 135 mm	227 X 130 mm
SB-OBRGS2-28W	28W	240 X 145 X 135 mm	227 X 130 mm
SB-OBRGS2-38W	38W	240 X 145 X 135 mm	227 X 130 mm
SB-OBRGS2-48W	48W	240 X 145 X 143 mm	215 X 125 mm
SB-OBRGS2-60W	60W	240 X 145 X 143 mm	215 X 125 mm



TECHNICAL DRAWING



RGS2 ADAPTOR PLATE

Product information: The descriptors and illustrations in this publication apply to the specific products and models described as at the date of issue. Under our policy of continuous product development, product specifications may change without notice. Prospective purchasers should therefore check with their supplier to ensure this publication correctly describes the products that are being offered for sale. All information supplied is to be used for general reference purposes only and is on the understanding that Smart Bright will not be liable for any loss, liability or damage of whatever kind arising as a result of reliance on such information. Colours of products illustrated are as close as printing limitations allow. Smart Bright will at all times comply with its obligations pursuant to law including Trade Practices (Australian Consumer Law) Act and Regulations.

