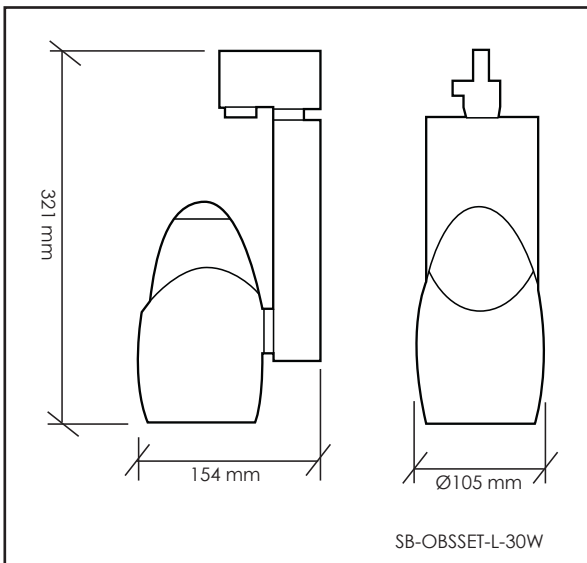


OBSSET-L TRACKLIGHT



DESCRIPTION

The OBSSET tracklights are a cost effective, high output track light suitable for a range of commercial spaces. The light features a rotatable head and a rotatable base (fixed to the track adaptor) which allows it to rotate in both x and y axes. This makes it an ideal flexible track light for aiming and directing light within a space.



TECHNICAL DRAWING

LUMINAIRE INFORMATION

LUMINAIRE

Power	15W, 20W, 25W, 30W, 40W
Input power	240V/50HZ
Luminous flux (@4000°K)	30W 3210lm (Other options available on request)
Colour Temperature	3000°K/4000°K/5000°K/6500°K

TECHNICAL INFORMATION

Luminous Efficacy	107lm/W
Beam angle	35°
IP rating	IP20
CRI	Ra85+
Dimmable	No
Flex and plug	Yes
Boot type	Universal Track (3 phase)
Rated operating life	50,000hrs
Warranty	5 Years
Approvals	ESS and VEET approved

DIMENSIONS

MODEL	WATTS	DIMENSION (DIA X WIDTH X HEIGHT)
SB-OBSSET-L-30W	30W	Ø105 X 154 X 291mm

Product information: The descriptors and illustrations in this publication apply to the specific products and models described as at the date of issue. Under our policy of continuous product development, product specifications may change without notice. Prospective purchasers should therefore check with their supplier to ensure this publication correctly describes the products that are being offered for sale. All information supplied is to be used for general reference purposes only and is on the understanding that Smart Bright will not be liable for any loss, liability or damage of whatever kind arising as a result of reliance on such information. Colours of products illustrated are as close as printing limitations allow. Smart Bright will at all times comply with its obligations pursuant to law including Trade Practices (Australian Consumer Law) Act and Regulations.

