

LDC2 DOWNLIGHT



DESCRIPTION

The 'LDC2' downlights are a utilitarian, low cost, high output downlight available in a 35 or 60 degree beam for a variety of commercial applications.

LUMINAIRE INFORMATION

LUMINAIRE

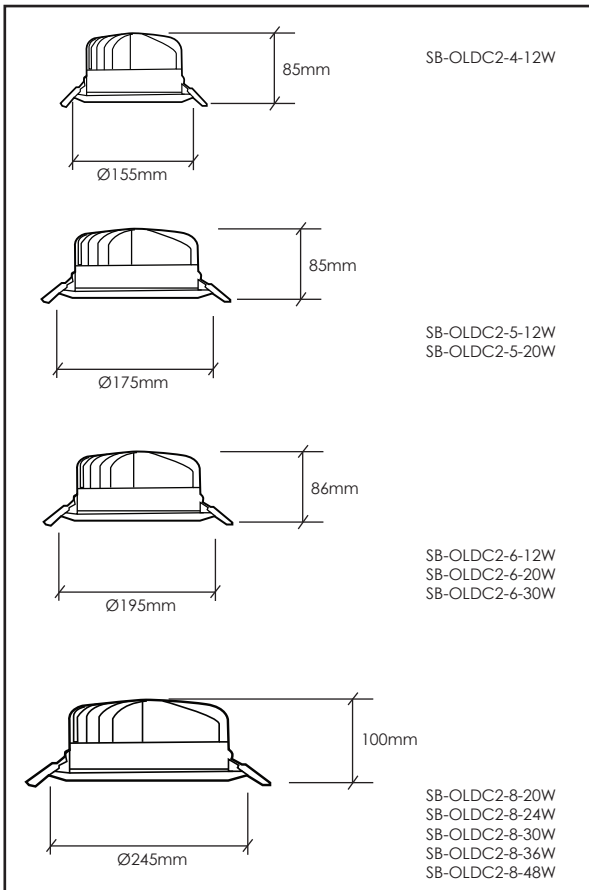
Power	15W, 20W, 24W, 30W (Other options available on request)
Input power	240V/50HZ
Delivered Lumens (@4000°K)	12W 1320 lm 20W 2200 lm 24W 2640 lm 30W 3300 lm 36W 3960 lm 48W 5280 lm
Colour Temperature	3000°K/4000°K/5000°K Integrated colour switching module (switches between 3000°K/4000°K/5000°K)

TECHNICAL INFORMATION

Luminous Efficacy	110 lm/W
IP rating	IP20
CRI	Ra80
Beam angle	35° or 60°
Dimmable	No
Flex and plug	Yes
Rated operating life	50,000hrs
Warranty	5 Years
Approvals	ESS and VEET approved

DIMENSIONS

MODEL	WATTS	DIMENSION (DIA X HEIGHT)	CUT OUT (L X W)
SB-OLDC2-4-12W	12W	Ø155 X 85mm	125mm
SB-OLDC2-5-12W	12W	Ø175 X 85mm	145mm
SB-OLDC2-5-20W	20W	Ø175 X 85mm	145mm
SB-OLDC2-6-12W	12W	Ø195 X 86mm	165 mm
SB-OLDC2-6-20W	20W	Ø195 X 86mm	165 mm
SB-OLDC2-6-30W	30W	Ø195 X 86mm	165 mm
SB-OLDC2-8-20W	20W	Ø245 X 100mm	210 mm
SB-OLDC2-8-24W	24W	Ø245 X 100mm	210 mm
SB-OLDC2-8-30W	30W	Ø245 X 100mm	210 mm
SB-OLDC2-8-36W	36W	Ø245 X 100mm	210 mm
SB-OLDC2-8-48W	48W	Ø245 X 100mm	210 mm



TECHNICAL DRAWING

Product information: The descriptors and illustrations in this publication apply to the specific products and models described as at the date of issue. Under our policy of continuous product development, product specifications may change without notice. Prospective purchasers should therefore check with their supplier to ensure this publication correctly describes the products that are being offered for sale. All information supplied is to be used for general reference purposes only and is on the understanding that Smart Bright will not be liable for any loss, liability or damage of whatever kind arising as a result of reliance on such information. Colours of products illustrated are as close as printing limitations allow. Smart Bright will at all times comply with its obligations pursuant to law including Trade Practices (Australian Consumer Law) Act and Regulations.

