

# TRAIL

## LINEAR LED FITTING



### DESCRIPTION

Trail is a linear LED fitting suitable for a range of environments including commercial office spaces, residential, hospitality and retail applications. It is available in both surface mount and suspended options and fittings can be joined together to make continuous runs. The fitting has an internal switch allowing it to change outputs from 20W to 40W and can also be dimmed via 0-10V dimming. An uplight option can also be added to the fitting with a remote driver.

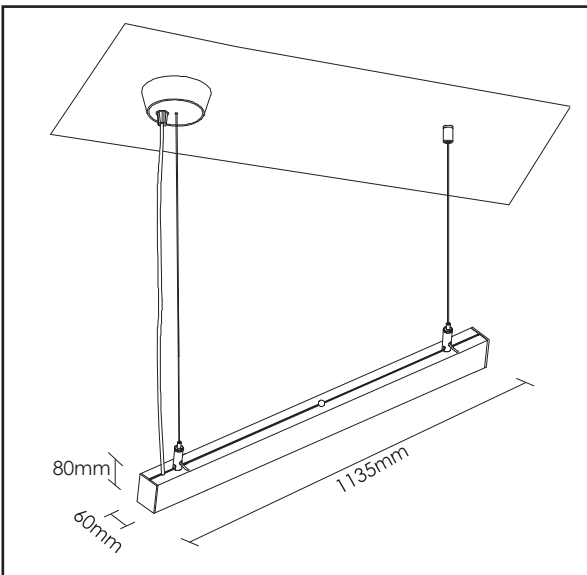
### LUMINAIRE INFORMATION

#### LUMINAIRE

Power	20W/40W
Input power	240V/50HZ
Delivered Lumens	20W 1600 lm 40W 3200 lm
Colour Temperature	4000°K

#### TECHNICAL INFORMATION

Luminous Efficacy	80 lm/W
IP rating	IP20
CRI	Ra80
Dimmable	Yes. (0-10V)
Rated operating life	50,000hrs
Warranty	5 Years
Approvals	ESS and VEET approved
Mounting	Suspension / Surface Mounting



TECHNICAL DRAWING

### DIMENSIONS

MODEL	WATTS	DIMENSION (DIA X HEIGHT)
TRAIL	40W	1135 X 60 X 80

Product information: The descriptors and illustrations in this publication apply to the specific products and models described as at the date of issue. Under our policy of continuous product development, product specifications may change without notice. Prospective purchasers should therefore check with their supplier to ensure this publication correctly describes the products that are being offered for sale. All information supplied is to be used for general reference purposes only and is on the understanding that Smart Bright will not be liable for any loss, liability or damage of whatever kind arising as a result of reliance on such information. Colours of products illustrated are as close as printing limitations allow. Smart Bright will at all times comply with its obligations pursuant to law including Trade Practices (Australian Consumer Law) Act and Regulations.

