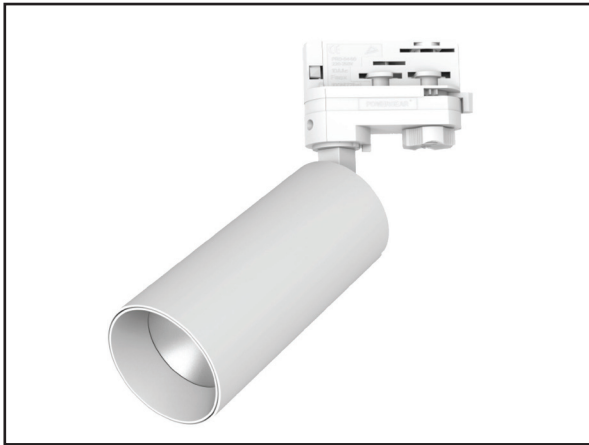


MINI TRACK TRACKLIGHT



DESCRIPTION

The Mini Track is a versatile tracklight available in a range of sizes, wattages and beam angles.

They are available in a 9, 18 and 30W model and 5 different beam angles including a 15°, 23°, 38°, 45° and 60° option. All variations have a CRI of 90+ and are available in 3000K, 4000K and 5700K.

The Mini series also comes in a spot and pendant version. The same light engine is used in the surface mount spot, recessed spot and cylindrical pendant which ensures colour consistency and uniformity of light if used together on a project.

LUMINAIRE INFORMATION

LUMINAIRE

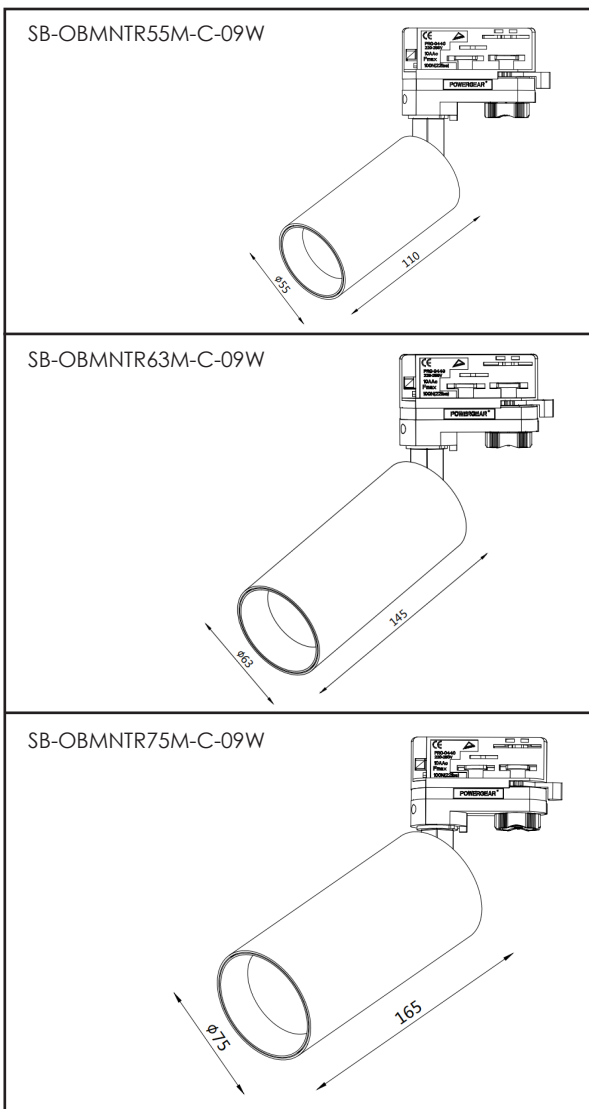
Power	9W, 18W, 30W	
Input power	240V/50HZ	
Delivered Lumens (5700°K, 38°)	9W	730 lm
	18W	1504 lm
	30W	2408 lm
Colour Temperature	3000K/4000K/5700K	

TECHNICAL INFORMATION

Luminous Efficacy (@4000K)	85~88lm/W
Beam angle	15° / 23° / 38° / 45° / 60°
IP rating	IP20
CRI	90+
Dimmable	No
Rated operating life	30,000hrs
Warranty	5 Years

DIMENSIONS

MODEL	WATTS	DIMENSION (DIA X CYL. HEIGHT)
SB-OBMNTR55M-C-09W	9W	Ø55 X 185mm
SB-OBMNTR63M-C-09W	18W	Ø63 X 145mm
SB-OBMNTR75M-C-09W	30W	Ø75 X 165mm



TECHNICAL DRAWING

Product information: The descriptors and illustrations in this publication apply to the specific products and models described as at the date of issue. Under our policy of continuous product development, product specifications may change without notice. Prospective purchasers should therefore check with their supplier to ensure this publication correctly describes the products that are being offered for sale. All information supplied is to be used for general reference purposes only and is on the understanding that Smart Bright will not be liable for any loss, liability or damage of whatever kind arising as a result of reliance on such information. Colours of products illustrated are as close as printing limitations allow. Smart Bright will at all times comply with its obligations pursuant to law including Trade Practices (Australian Consumer Law) Act and Regulations.

